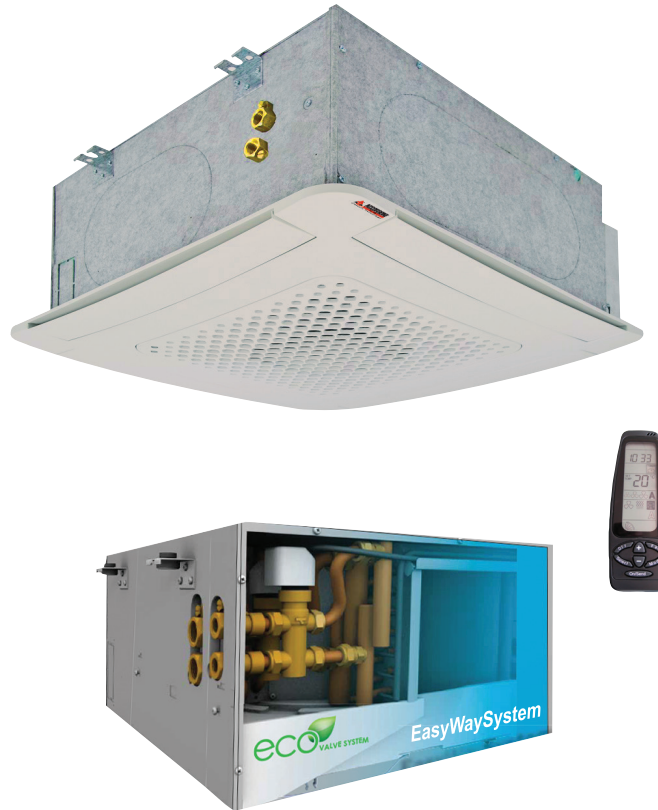


CVCB INVERTER (2 pipes) - CVCX INVERTER (4 pipes)

Hydronic cassettes



Model	Thermal Power kW	Cooling Capacity kW	Code	€
CVCB 61 INVERTER hot cold 2 pipes	2,80	2,27	62000061	1.370,00
CVCB 62 INVERTER hot cold 2 pipes	3,15	2,71	62000062	1.520,00
CVCB 63 INVERTER hot cold 2 pipes	4,91	4,31	62000063	1.650,00
CVCB 64 INVERTER hot cold 2 pipes	5,90	5,05	62000064	1.780,00
CVCB 65 INVERTER hot cold 2 pipes	6,50	5,47	62000065	1.980,00
CVCB 71 INVERTER hot cold 2 pipes	7,65	6,22	62000071	2.040,00
CVCB 72 INVERTER hot cold 2 pipes	10,40	9,56	62000072	2.100,00
CVCB 73 INVERTER hot cold 2 pipes	13,50	11,0	62000073	2.160,00
CVCX 81 INVERTER hot cold 4 pipes	3,05	2,35	62000081	1.620,00
CVCX 82 INVERTER hot cold 4 pipes	3,50	2,75	62000082	1.660,00
CVCX 83 INVERTER hot cold 4 pipes	4,45	3,40	62000083	1.740,00
CVCX 83C INVERTER hot cold 4 pipes	3,30	3,89	62000083C	1.810,00
CVCX 84 INVERTER hot cold 4 pipes	5,00	3,90	62000084	1.850,00
CVCX 84C INVERTER hot cold 4 pipes	3,71	4,47	62000084C	1.930,00
CVCX 91 INVERTER hot cold 4 pipes	9,00	6,20	62000091	2.170,00
CVCX 92 INVERTER hot cold 4 pipes	10,50	7,20	62000092	2.240,00
CVCX 93 INVERTER hot cold 4 pipes	12,50	8,80	62000093	2.380,00

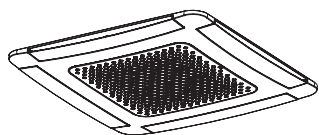
CVCB INVERTER (2 pipes) - CVCX INVERTER (4 pipes)

Hydronic cassettes

CVCB INVERTER fan coil accessories (2 pipes) - CVCX INVERTER (4 pipes)

Codice

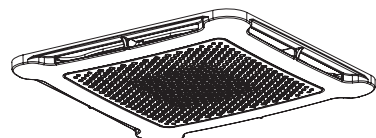
€



Panel 600 x 600 mm in ABS RAL 9010
with manual fins + Infrared receiver

62010000

203,00



Panel 900 x 900 mm in ABS RAL 9010
+ Infrared receiver

62011000

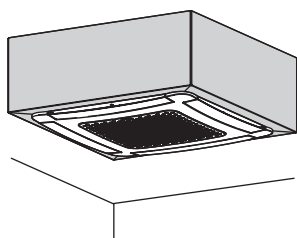
317,00



Infrared remote control

62010001

33,00



Sheet metal covering cabinet
painted RAL9010

mod. 600 x 600 mm

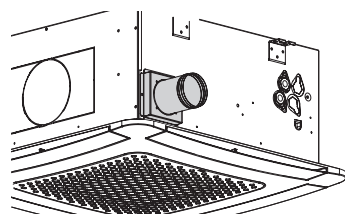
62010072

521,00

mod. 900 x 900 mm

62010073

612,00



Ø 80 mm fitting
for external air intake
(only filler)

mod. 600 x 600 mm

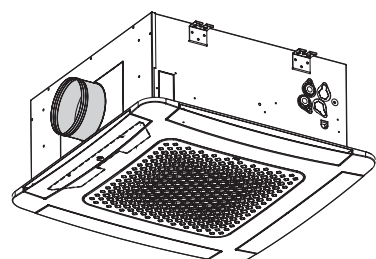
62010074

28,00

mod. 900 x 900 mm

62010075

28,00



Fitting Ø 150 mm
for delivery in an adjoining
room (with flap closure)

mod. 600 x 600 mm

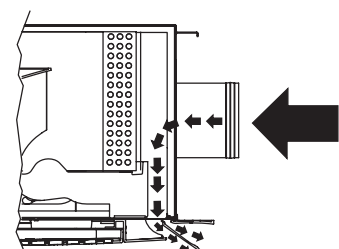
62010076

34,00

mod. 900 x 900 mm

62010077

43,00



Backup kit
complete primary air
of mouthpiece Ø 150 mm

mod. 600 x 600 mm

62010078

110,00

mod. 900 x 900 mm

62010079

143,00

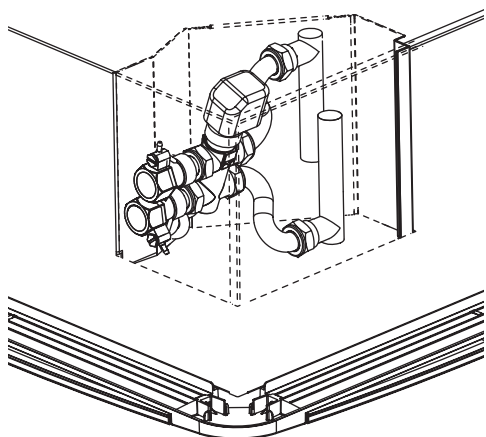
CVCB INVERTER (2 pipes) - CVCX INVERTER (4 pipes)

Hydronic cassettes

Accessories FITTED FACTORY VALVES CVCB INVERTER (2 pipes)

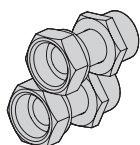
Code

€



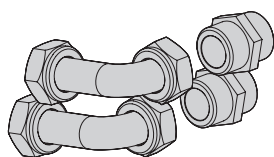
3 way valve

mod. CVCB 61 - 62	62010002	131,00
mod. CVCB 63 - 65	62010003	149,00
mod. CVCB 71	62010004	203,00
mod. CVCB 72 - 73	62010005	230,00



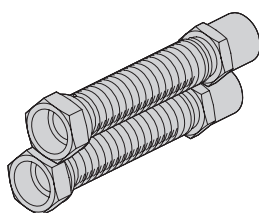
N. 2 straight copper pipes male/female

mod. CVCB 61 - 62	62010006	18,00
mod. CVCB 63 - 65	62010007	20,00
mod. CVCB 71	62010008	20,00
mod. CVCB 72 - 73	62010009	20,00



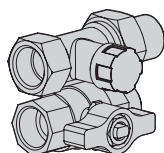
N. 2 copper pipes 90° male/female

mod. CVCB 61 - 62	62010010	32,00
mod. CVCB 63 - 65	62010011	35,00
mod. CVCB 71	62010012	35,00
mod. CVCB 72 - 73	62010013	35,00



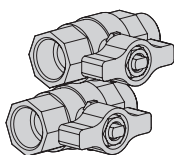
N. 2 flexible pipes extendable stainless steel

mod. CVCB 61 - 62	62010014	33,00
mod. CVCB 63 - 65	62010015	44,00
mod. CVCB 71	62010016	44,00
mod. CVCB 72 - 73	62010017	44,00



N. 1 ball valve
N. 1 holder

mod. CVCB 61 - 62	62010018	44,00
mod. CVCB 63 - 65	62010019	54,00
mod. CVCB 71	62010020	54,00
mod. CVCB 72 - 73	62010021	57,00



N. 2 ball valves

mod. CVCB 61 - 62	62010022	39,00
mod. CVCB 63 - 65	62010023	47,00
mod. CVCB 71	62010024	47,00
mod. CVCB 72 - 73	62010025	49,00

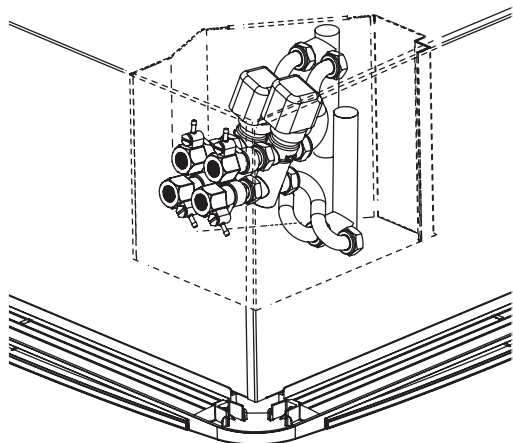
CVCB INVERTER (2 pipes) - CVCX INVERTER (4 pipes)

Hydronic cassettes

Accessories CVCX INVERTER FITTED VALVES (4 pipes)

Code

€



3 way valve

mod. CVCX 81 - 84C

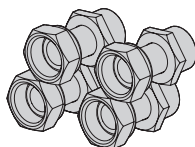
62010047

235,00

mod. CVCX 91 - 93

62010049

381,00



N. 4 straight copper pipes male/female

mod. CVCX 81 - 84C

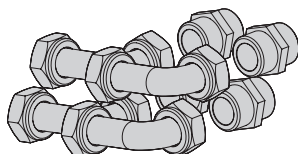
62010050

35,00

mod. CVCX 91 - 93

62010051

48,00



N. 4 copper pipes 90° male/female

mod. CVCX 81 - 84C

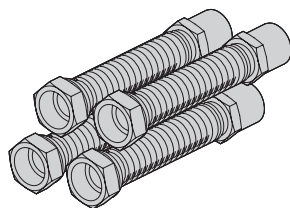
62010052

57,00

mod. CVCX 91 - 93

62010053

83,00



N. 4 flexible pipes extendable stainless steel

mod. CVCX 81 - 84C

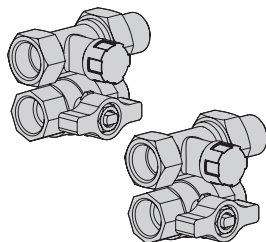
62010054

66,00

mod. CVCX 91 - 93

62010055

104,00



N. 2 ball valve
N. 2 holder

mod. CVCX 81 - 84C

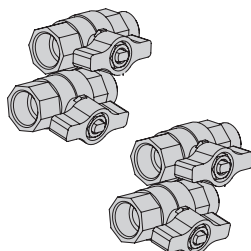
62010056

90,00

mod. CVCX 91 - 93

62010057

98,00



N. 4 ball valves

mod. CVCX 81 - 84C

62010058

78,00

mod. CVCX 91 - 93

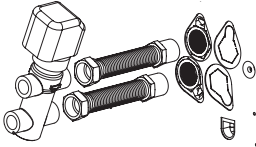
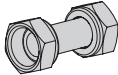
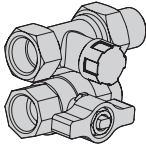
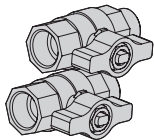
62010059

95,00

CVCB INVERTER (2 pipes) - CVCX INVERTER (4 pipes)

Hydronic cassettes

Accessories CVCB VALVES INVERTER (2 pipes)

		Code	€
	3 way valve	mod. CVCB 61 - 62	62010026 109,00
		mod. CVCB 63 - 65	62010027 126,00
		mod. CVCB 71	62010028 126,00
		mod. CVCB 72 - 73	62010029 188,00
	N. 1 straight copper tube for 3-way valve	mod. CVCB 61 - 62	62010034 18,00
		mod. CVCB 63 - 65	62010035 20,00
		mod. CVCB 71	62010036 20,00
		mod. CVCB 72 - 73	62010037 20,00
	N. 1 ball valve N. 1 holder	mod. CVCB 61 - 62	62010038 44,00
		mod. CVCB 63 - 65	62010039 54,00
		mod. CVCB 71	62010040 54,00
		mod. CVCB 72 - 73	62010041 56,00
	N. 2 ball valves	mod. CVCB 61 - 62	62010042 39,00
		mod. CVCB 63 - 65	62010043 46,00
		mod. CVCB 71	62010044 46,00
		mod. CVCB 72 - 73	62010045 49,00

Accessories CVCX VALVES NEW (4 pipes)

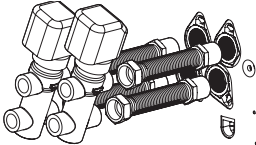
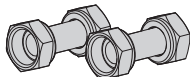
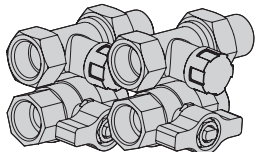
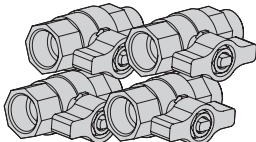
	3 way valve	mod. CVCX 81 - 84C	62010061 212,00
		mod. CVCX 91 - 93	62010063 242,00
	N.2 straight copper pipes for 3-way valve	mod. CVCX 81 - 84C	62010066 36,00
		mod. CVCX 91 - 93	62010067 40,00
	N. 2 ball valve N. 2 holder	mod. CVCX 81 - 84C	62010068 90,00
		mod. CVCX 91 - 93	62010069 98,00
	N. 4 ball valve	mod. CVCX 81 - 84C	62010070 78,00
		mod. CVCX 91 - 93	62010071 95,00

Table of valve connections

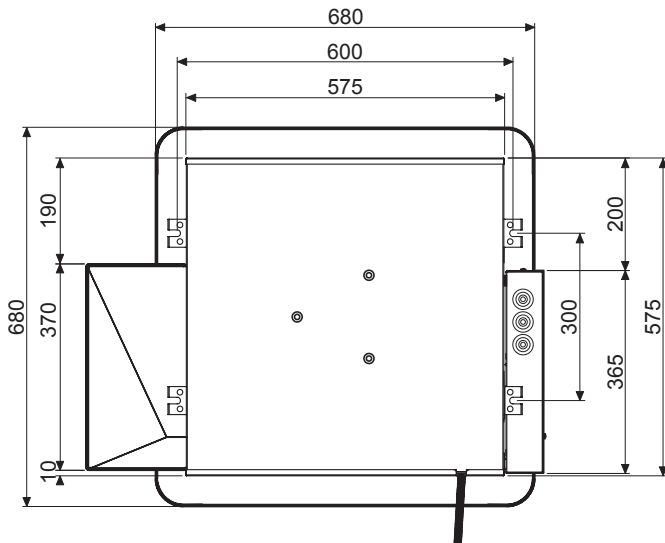
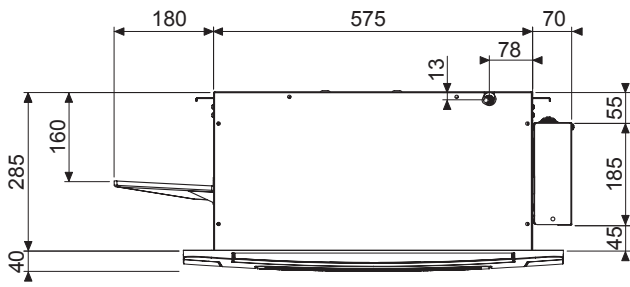
DESCRIPTION		CVCB INVERTER (2 pipes)					CVCX INVERTER (4 pipes)					
		61	62	63	64	65	81	82	83	83C	84	84C
mod. 600 x 600	Main battery	1/2"	1/2"	3/4"	3/4"	3/4"	1/2"	1/2"	1/2"	1/2"	1/2"	1/2"
	Auxiliary battery	-	-	-	-	-	1/2"	1/2"	1/2"	1/2"	1/2"	1/2"

DESCRIPTION		CVCB INVERTER (2 pipes)			CVCX INVERTER (4 pipes)		
		71	72	73	91	92	93
mod. 900 x 900	Main battery	3/4"	3/4"	3/4"	3/4"	3/4"	3/4"
	Auxiliary battery	-	-	-	3/4"	3/4"	3/4"

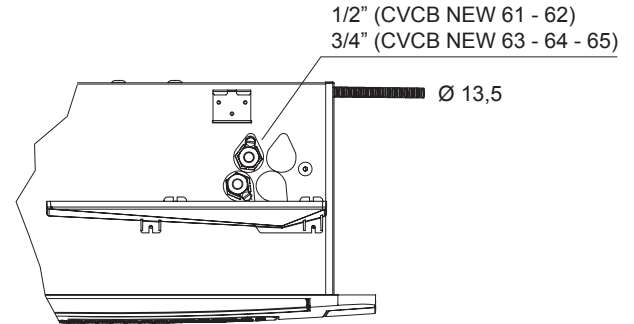
CVCB INVERTER (2 pipes) - CVCX INVERTER (4 pipes)

Hydronic cassettes

Dimensions of cassette fan coil 600 x 600 CVCB INVERTER (2 pipes) - CVCX INVERTER (4 pipes)

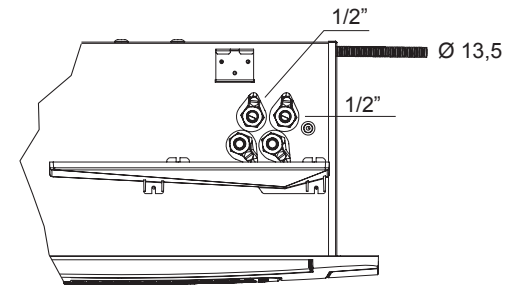


2 PIPES SYSTEM

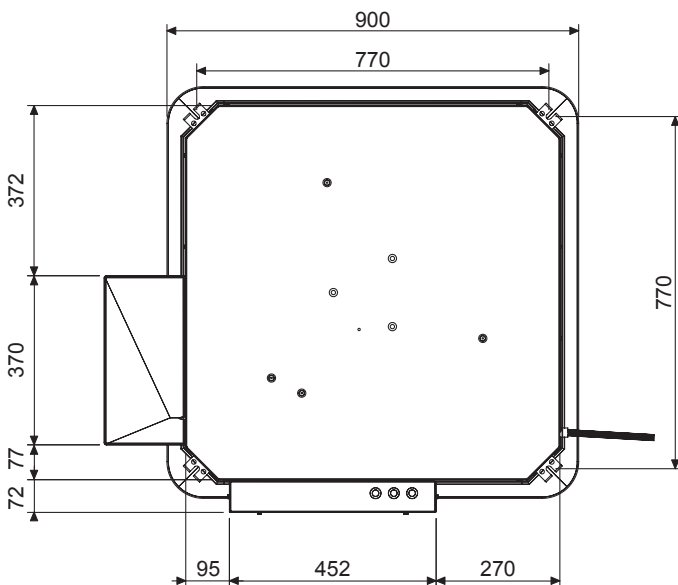
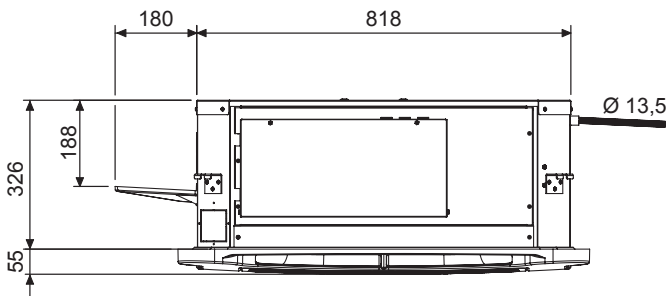


4 PIPES SYSTEM

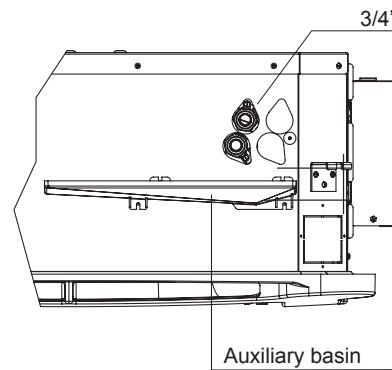
values in mm



Cassette fan coil dimensions 900 x 900 CVCB INVERTER (2 pipes) - CVCX INVERTER (4 pipes)

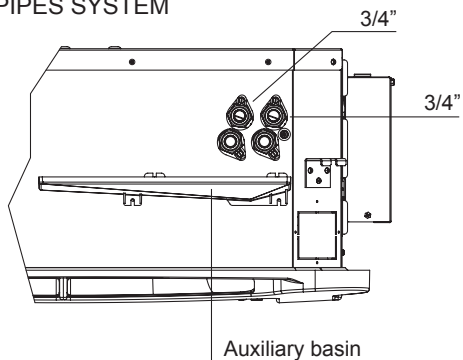


2 PIPES SYSTEM



values in mm

4 PIPES SYSTEM



CVCB INVERTER (2 pipes) - CVCX INVERTER (4 pipes)

Hydronic cassettes

Cassette technical data table 600 x 600 CVCB INVERTER (2 pipes) - CVCX INVERTER (4 pipes)

DESCRIPTION	U.M.		CVCB INVERTER (2 pipes)					CVCX INVERTER (4 pipes)					
			61	62	63	64	65	81	82	83	83C	84	84C
Total cooling capacity ⁽¹⁾	kW	max	2,27	2,70	4,31	5,05	5,47	2,35	2,75	3,40	3,89	3,90	4,47
		med	1,87	2,47	3,09	3,70	4,73	1,94	2,41	2,55	3,00	3,10	3,46
		min	1,58	1,97	2,17	2,73	4,03	1,63	1,89	1,91	2,00	2,40	2,66
Sensitive cooling capacity ⁽¹⁾	kW	max	1,89	2,07	3,17	3,77	4,08	1,92	2,02	2,61	2,92	3,05	3,42
		med	1,52	1,85	2,22	2,68	3,43	1,54	1,75	1,91	2,20	2,36	2,57
		min	1,26	1,45	1,52	1,94	2,86	1,25	1,37	1,39	1,43	1,78	1,93
Water flow ⁽¹⁾	l/h	max	391	467	742	869	941	405	473	585	670	671	769
		med	322	425	532	637	814	334	415	439	516	534	596
		min	272	339	374	470	694	281	326	329	344	413	458
Water side pressure drops ⁽¹⁾	kPa	max	20	16	24	24	30	18	14	17	22	21	28
		med	14	14	18	18	24	15	12	14	19	17	22
		min	11	10	11	16	18	10	10	10	15	12	17
Thermal power ⁽²⁾	kW	max	2,80	3,15	4,91	5,90	6,50	3,05	3,50	4,45	3,30	5,00	3,71
		med	2,30	2,85	3,52	4,15	5,90	2,60	3,05	3,50	2,67	4,00	2,98
		min	1,90	2,30	2,51	3,10	4,90	2,01	2,45	2,45	1,91	3,15	2,39
Water side pressure drops ⁽²⁾	kPa	max	13	16	19	23	29	15	15	18	23	22	27
		med	13	13	17	20	23	14	12	15	19	19	24
		min	10	9	10	16	18	11	9	9	14	12	17
Sound power	dB(A)	max	46	44	52	60	61	46	44	52	52	60	58
		med	39	41	44	49	59	39	41	44	44	49	49
		min	33	34	34	39	53	33	34	34	34	39	39
Sound pressure	dB(A)	max	37	35	43	49	53	37	35	43	43	49	49
		med	30	32	35	40	50	30	32	35	35	40	40
		min	24	25	25	30	44	24	25	25	25	30	30
Air flow	m ³ /h	max	367	398	550	660	760	367	398	550	550	660	660
		med	295	355	398	468	660	295	355	398	398	468	468
		min	224	269	269	328	550	224	269	269	269	328	328
Power supply			230V/1/50Hz										
Electric fan power	W	12	11	26	45	65	12	11,2	25,5	25,5	40	40	
Electric fan current	A	0,11	0,11	0,22	0,33	0,47	0,11	0,11	0,22	0,22	0,33	0,33	
Weight	Kg	20	21	23	23	24	23	24	24	24	24	24	

1) COOLING

Inlet water temperature: 7 °C

Outlet water temperature: 12 °C

Inlet air temperature: 27 °C d.b. - 19 °C w.b.

2) HEATING

Air temperature: 20 °C

Inlet water temperature: 50 °C

Outlet water temperature: 45 °C

- Standard free-mouth unit: external static pressure = 0 Pa

- Sound power level: according to ISO 23741

- Sound pressure level: considered to be 8.6 dB (A) lower than the sound power in a 90 m³ room with a reverberation time of 0.5 sec.

- Admissible voltage values: ~ 230V ± 10% / 1ph / 50Hz

CVCB INVERTER (2 pipes) - CVCX INVERTER (4 pipes)

Hydronic cassettes

Cassette technical data table 900 x 900 CVCB INVERTER (2 pipes) - CVCX INVERTER (4 pipes)

DESCRIPTION	U.M.		CVCB INVERTER (2 Tubi)			CVCX INVERTER (4 Tubi)		
			71	72	73	91	92	93
Total cooling capacity ⁽¹⁾	kW	max	6,22	9,56	11,0	6,20	7,20	8,80
		med	4,98	6,67	8,88	4,90	5,20	6,65
		min	4,19	5,38	5,38	4,05	4,30	4,50
Sensitive cooling capacity ⁽¹⁾	kW	max	4,63	6,50	8,10	4,58	5,44	6,67
		med	3,63	4,40	6,30	3,55	3,81	4,97
		min	3,01	3,50	3,75	2,89	3,09	3,23
Water flow ⁽¹⁾	l/h	max	1058	1637	1880	1070	1240	1510
		med	853	1137	1530	850	890	1140
		min	724	920	950	690	740	770
Water side pressure drops ⁽¹⁾	kPa	max	31,5	33,5	53,0	20,5	29,5	38
		med	21,5	13,5	36,0	13,5	18	24,5
		min	16,5	8,5	12,5	9,5	11,5	14
Thermal power ⁽²⁾	kW	max	7,65	10,40	13,50	9,00	10,50	12,50
		med	6,00	7,20	10,40	7,00	8,00	9,50
		min	5,05	5,55	6,05	5,80	6,30	6,80
Water side pressure drops ⁽²⁾	kPa	max	22	29	46	23,5	33	42,5
		med	16	12,5	31	16	20,5	29
		min	11	10	11	11	14	16
Sound power	dB(A)	max	47	53	59	47	53	59
		med	39	40	49	39	40	49
		min	32	34	35	32	34	35
Sound pressure	dB(A)	max	41	46	51	41	46	51
		med	34	36	41	34	36	41
		min	27	29	35	27	29	35
Air flow	m ³ /h	max	1150	1470	1790	1150	1470	1790
		med	800	920	1200	800	920	1200
		min	580	680	700	580	680	700
Power supply			230V/1/50Hz					
Electric fan power	W	81	89	155	45	74	121	
Weight	Kg	40	45	45	41	46	46	

1) COOLING

Inlet water temperature: 7 °C
 Outlet water temperature: 12 °C
 Inlet air temperature: 27 °C d.b. - 19 °C w.b.

2) HEATING

Air temperature: 20 °C
 Inlet water temperature: 50 °C
 Outlet water temperature: 45 °C

- Standard free-mouth unit: external static pressure = 0 Pa
- Sound power level: according to ISO 23741
- Sound pressure level: considered to be 8.6 dB (A) lower than the sound power in a 90 m³ room with a reverberation time of 0.5 sec.
- Admissible voltage values: ~ 230V ± 10% / 1ph / 50Hz